

**FEATURES**

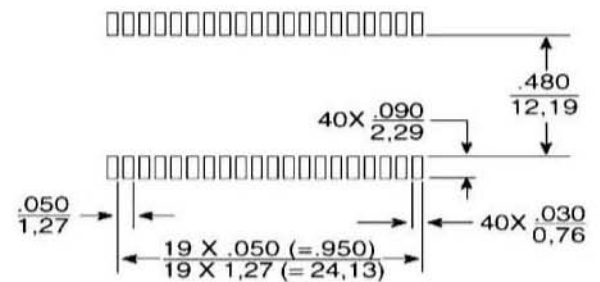
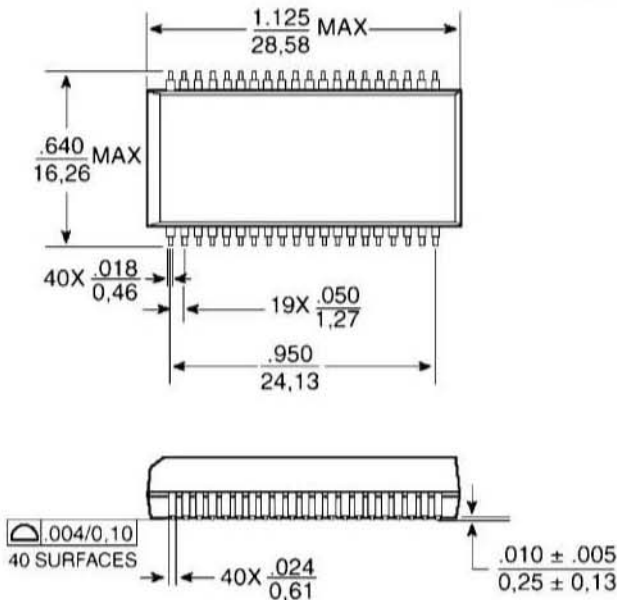
- IC-grade transfer molded package withstands 235°C peak temperature profile.



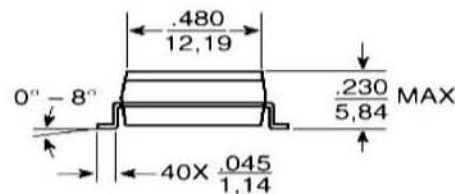
**ELECTRICAL SPECIFICATIONS @25°C -Operating temperature 0°C TO 70°C**

Part Number	Transformer Turns Ratio (±2%)	Sine Wave Inductance OCL (μH min)	Interwinding Capacitance C <sub>WV</sub> (Pf max)	Leakage Inductance L <sub>L</sub> (μH max)	Return Loss 5 to 10 MHz (dB min)		Common Mode Rejection (dB min) XMIT					Hipot (V <sub>RMS</sub> min)
					100Ω	98±13Ω	5 MHz	10 MHz	50 MHz	100 MHz	200 MHz	
ST-80F03L	1CT:1CT	150	10	0.30	-20	-15	-60	-50	-35	-25	-20	1500
ST-80F01L	1CT:1CT	150	10	0.30	-20	-15	-60	-50	-35	-25	-20	1500
ST-80F07L	1CT:√2CT	150	10	0.30	-20	-15	-60	-50	-30	-25	-20	1500
ST-80F10L	1CT:√2CT	150	10	0.30	-20	-15	-60	-50	-30	-20	-15	1500
ST-80F09	1CT:2CT	180	10	0.30	-20	-15	-50	-40	-30	-20	-14	1500
ST-80F10	1CT:1CT	150	10	0.30	-20	-15	-60	-50	-34	-25	-18	1500

**DIMENSION**



**Suggested SMD Pad Layout**

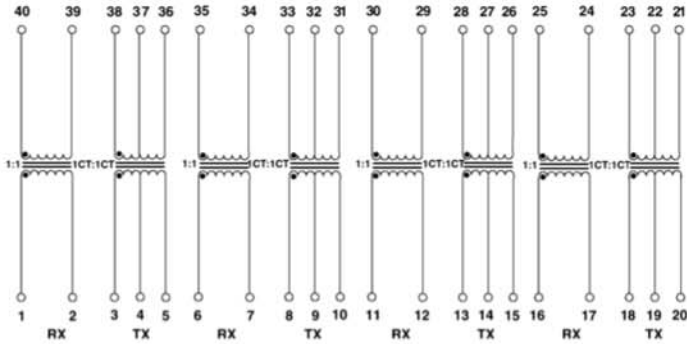


Dimensions:inches/mm

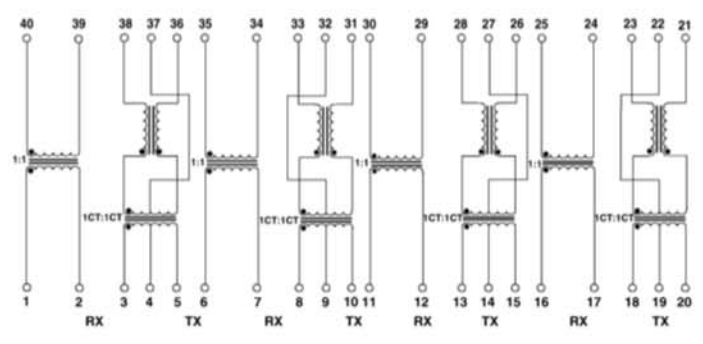
Unless otherwise specified,all tolerances are ±.010/±0.25

**SCHEMATICS**

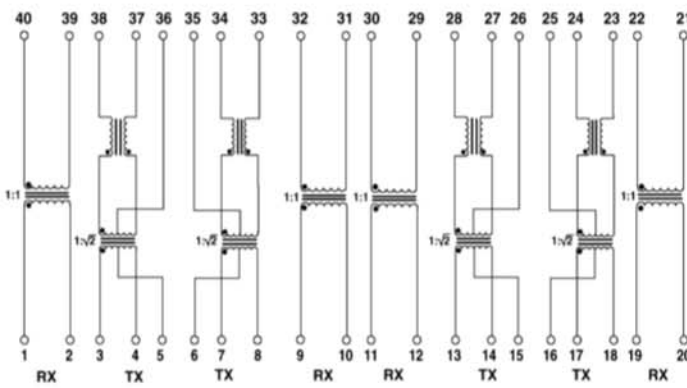
**ST-80F01L**



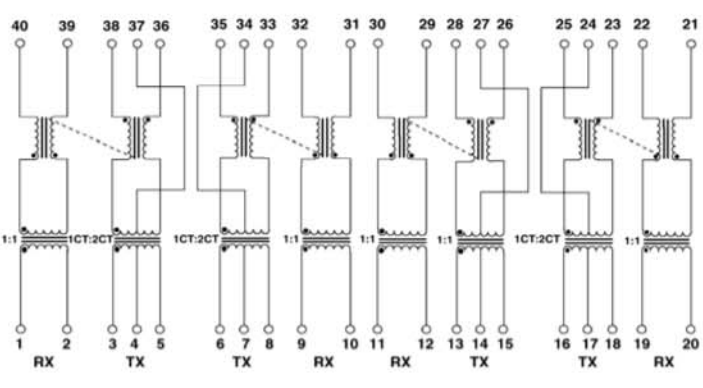
**ST-80F03L**



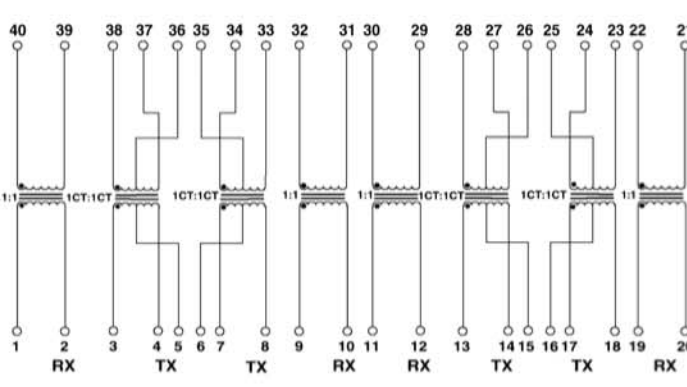
**ST-80F07L**



**ST-80F09ST**



**ST-80F10**



**ST-80F10L**

